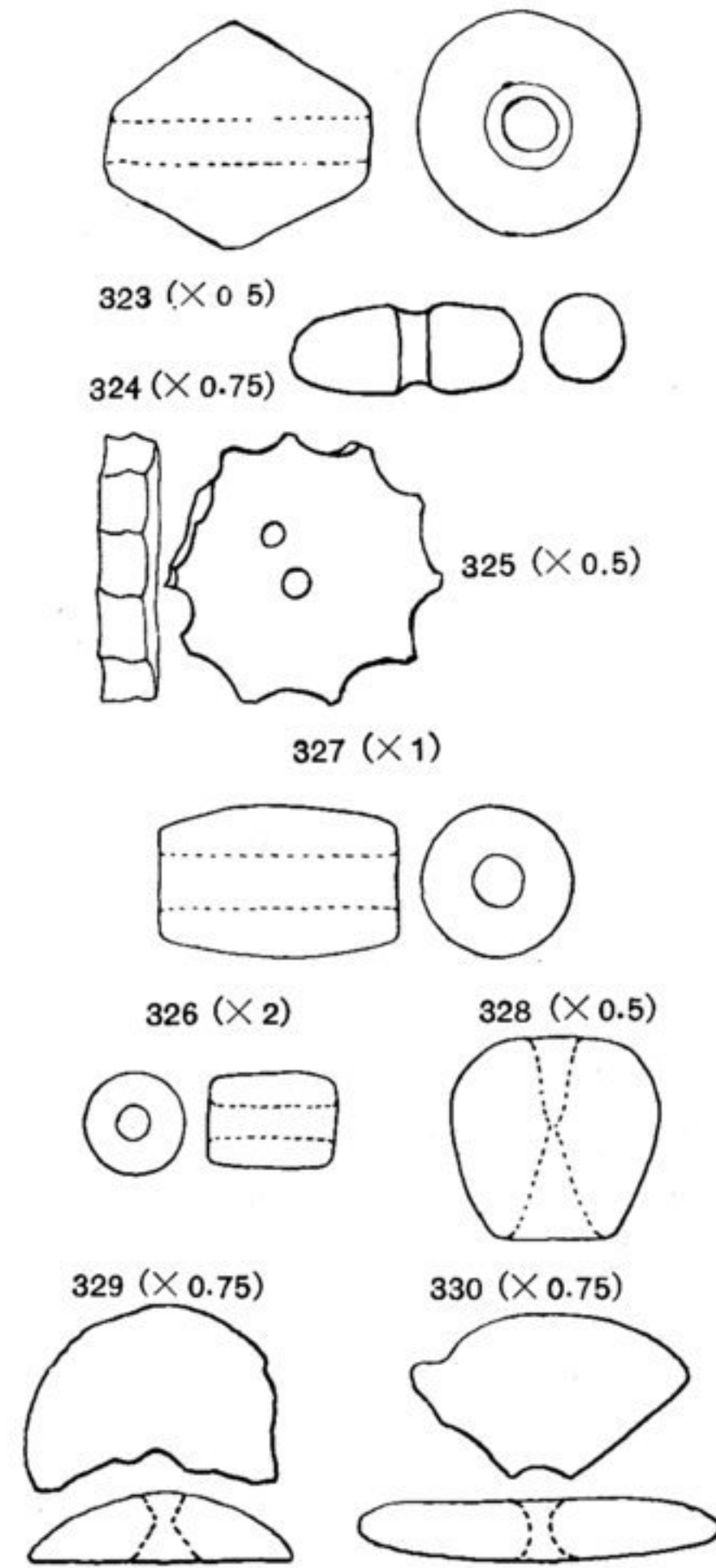


light-gray. It came from terrace C, between +9 feet 5 inches and +21 feet 2 inches. At the same point there was found an angular disk of marble (S.K.



243; fig. 335; plate 41, fig. 1). It remains to be determined of what material the bead (S.K. 24) shown in fig. 336 and plate 41, fig. 17, was made. It is cylindrical, with depressed upper and lower sides, consisting of soft brown material, and was found in terrace B, April 11, 1904. A nearly spherical light-blue glass bead (S.K. 125) is also striking on account of the material of which it is made. It is shown in fig. 337 and plate 41, fig. 3, and was found April 19, in the dump of terrace B, which had been enlarged; it may therefore have come from the surface of the hill.

A button of dark-brown lapis lazuli (S.K. 219; fig. 338; plate 41, fig. 2), belongs more in the class of the older lapis-

lazuli ornaments. It is remarkable for its notched perforation. It was found in the outer digging, between +2 feet 2 inches and +48 feet 2 inches, in a layer where very few fragments of pottery were found, although fragments showing the technique and forms of the older pottery occurred occasionally, together with those of the younger kind.

We can probably assign to the older culture a pendant of marble (S.K. 224; fig. 339; plate 41, fig. 13) found in terrace B, between +21 feet 5 inches and +23 feet 7 inches, but I mention it here because it was found on the day that the terrace was widened outward. Lastly may be mentioned a small clay knob (S.K. 84; fig. 340; plate 42, fig. 7) from the mixed layers of terrace A, between +23 feet 4 inches and +25 feet.

